

Panasonic

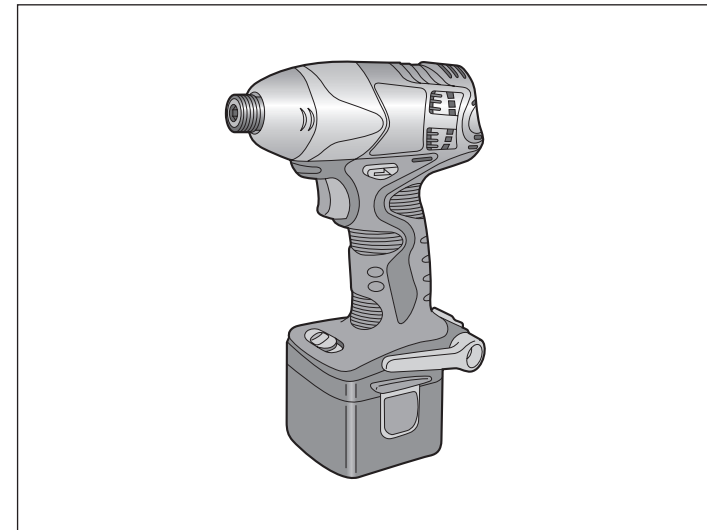
Cordless Impact Driver

Operating Instructions

Model No: EY7201

30-DAY QUALITY SATISFACTION GUARANTEE:

If you are dissatisfied with any Panasonic Cordless Power Tool for any reason, simply return it to the place of purchase with a dated proof of purchase, in the original packaging, with all accessories, parts and instructions, within 30 days of the date of purchase, for a full refund, or call Panasonic at 201-392-6655. Abuse or misapplication of any power tool voids the guarantee.



PANASONIC CONSUMER ELECTRONICS COMPANY

One Panasonic Way, Secaucus, New Jersey 07094

IMPORTANT

This manual contains safety information. Read manual completely before first using this product and save this manual for future use.

I. GENERAL SAFETY RULES - FOR ALL BATTERY OPERATED TOOLS

WARNING!

READ AND UNDERSTAND ALL INSTRUCTIONS.

- Failure to follow all instructions listed below, may result in electric shock, fire and/or serious personal injury.

SAVE THESE INSTRUCTIONS

Work Area

- 1) **Keep your work area clean and well lit.**
Cluttered benches and dark areas invite accidents.
- 2) **Do not operate power tools in explosive atmospheres, such as in the presence of flammable liquids, gases, or dust.**
Power tools create sparks which may ignite the dust or fumes.
- 3) **Keep bystanders, children, and visitors away while operating a power tool.**
Distractions can cause you to lose control. Make sure that no one is beneath, or on the other side of the area when you are working.

Electrical Safety

- 4) **A battery operated tool with integral batteries or a separate battery pack must be recharged only with the specified charger for the battery.**
A charger that may be suitable for one type of battery may create a risk of fire when used with another battery.
- 5) **Use battery operated tool only with specifically designated battery pack.**
Use of any other batteries may create a risk of fire.

Personal Safety

- 6) **Stay alert, watch what you are doing, and use common sense when operating a power tool. Do not use tool while tired or under the influence of drugs, alcohol, or medi-**

cation.

A moment of inattention while operating power tools may result in serious personal injury.

- 7) **Dress properly. Do not wear loose clothing or jewelry. Contain long hair. Keep your hair, clothing, and gloves away from moving parts.**
Loose clothes, jewelry, or long hair can be caught in moving parts.
- 8) **Avoid accidental starting. Be sure switch is in the locked or off position before inserting battery pack.**
Carrying tools with your finger on the switch or inserting the battery pack into a tool with the switch on invites accidents.
- 9) **Remove adjusting keys or wrenches before turning the tool on.**
A wrench or a key that is left attached to a rotating part of the tool may result in personal injury.
- 10) **Do not overreach. Keep proper footing and balance at all times.**
Proper footing and balance enable better control of the tool in unexpected situations.
- 11) **Use safety equipment. Always wear eye protection.**
Dust mask, non-skid safety shoes, hard hat, or hearing protection must be used for appropriate conditions.

Tool use and care

- 12) **Use clamps or other practical way to secure and support the workpiece to a stable platform.**
Holding the work by hand or against your body is unstable and may lead to loss of control.
- 13) **Do not force tool. Use the correct tool for your application.**
The correct tool will do the job better and safer at the rate for which it is designed.
- 14) **Do not use tool if switch does not turn it on or off.**
A tool that cannot be controlled with the switch is dangerous and must be repaired.
- 15) **Disconnect battery pack from tool or place the switch in the locked or off position before making any adjustments, changing accessories, or storing the tool.**

Such preventive safety measures reduce the risk of starting the tool accidentally.

- 16) **Store idle tools out of reach of children and other untrained persons.**
Tools are dangerous in the hands of untrained users.
- 17) **When battery pack is not in use, keep it away from other metal objects like: paper clips, coins, keys, nails, screws, or other small metal objects that can make a connection from one terminal to another.**
Shorting the battery terminals together may cause sparks, burns or a fire.
- 18) **Maintain tools with care. Keep cutting tools sharp and clean.**
Properly maintained tools with sharp cutting edge are less likely to bind and are easier to control.
- 19) **Check for misalignment or binding of moving parts, breakage of parts, and any other condition that may affect the tool's operations. If damaged, have the tool serviced before using.**
Many accidents are caused by poorly maintained tools.
- 20) **Use only accessories that are recommended by the manufacturer for your model.**
Accessories that may be suitable for one tool may create a risk of injury when used on another tool.

Service

- 21) **Tool service must be performed only by qualified repair personnel.**
Service or maintenance performed by unqualified personnel may result in a risk of injury.
- 21) **When servicing a tool, use only identical replacement parts. Follow instructions in the Maintenance section of this manual.**
Use of unauthorized parts or failure to follow Maintenance Instructions may create a risk of shock or injury.

II. SPECIFIC SAFETY RULES

- 1) **Hold tool by insulated gripping surfaces when performing an operation where the cutting tool may contact hidden wiring.**

Contact with a "live" wire will also make exposed metal parts of the tool "live" and shock the operator.

- 2) **Wear ear protectors when using the tool for extended periods.**
Prolonged exposure to high intensity noise can cause hearing loss.
- 3) **Be aware that this tool is always in an operating condition, it does not have to be plugged into an electrical outlet.**
- 4) **Do not operate the Forward/Reverse lever when the Variable speed control trigger is on.**
The battery will discharge rapidly and damage to the unit may occur.
- 5) **If the bit becomes jammed, immediately turn the Variable speed control trigger off to prevent an overload which can damage the battery pack or motor. Use reverse motion to loosen jammed bits.**
- 6) **When storing or carrying the tool, set the Forward/Reverse lever to the center (switch lock) position.**
- 7) **Do not strain the tool by holding the speed control trigger halfway (speed control mode) so that the motor stops.**
- 8) **During charging, the charger may become slightly warm. This is normal. Do not charge the battery for a long period.**

Symbol	Meaning
V	Volts
---	Direct Current
no	no load speed
.../min	revolutions or reciprocation per minutes
→ (Toward Chuck)	Forward Rotation
→ (Toward Motor)	Reverse Rotation

WARNING:

Some dust created by power sanding, sawing, grinding, drilling, and other construction activities contains chemicals known to the State of California to cause cancer, birth defects or other reproductive harm. Some examples of these chemicals are:

- Lead from lead-based paints
- Crystalline silica from bricks and cement and other masonry products
- Arsenic and chromium from chemically-treated lumber.

To reduce your exposure to these chemicals: work in a well ventilated area, and work with approved safety equipment, such as dust masks that are specially designed to filter out microscopic particles.

III.FOR BATTERY CHARGER & BATTERY PACK IMPORTANT SAFETY INSTRUCTIONS

1) SAVE THESE INSTRUCTIONS

- This manual contains important safety and operating instructions for battery charger EY0110.

- 2) Before using battery charger, read all instructions and cautionary markings on (1) battery charger, (2) battery pack.

3) CAUTION

- To reduce the risk of injury, charge only Battery Pack as shown below.

EY9065, EY9066, EY9168, EY9080, EY9086, EY9180, EY9182, EY9001, EY9006, EY9101, EY9106, EY9200, EY9201, EY9136, EY9230, EY9231, EY9251, EY9117, EY9210

Other types of batteries may burst causing personal injury and damage.

- 4) Do not expose charger to rain or snow.
- 5) To reduce risk of damaging the electric plug and cord, pull by plug rather than cord when disconnecting charger.

- 6) Make sure cord is located so that it will not be stepped on, tripped over, or otherwise subjected to damage or stress.
- 7) An extension cord should not be used unless absolutely necessary. Use of improper extension cord could result in a risk of fire and electric shock. If extension cord must be used, make sure that:
- a. pins on plug of extension cord are the same number, size and shape as those of plug on charger.
 - b. extension cord is properly wired and in good electrical condition.
 - c. wire size is large enough for ampere rating of charger as specified below

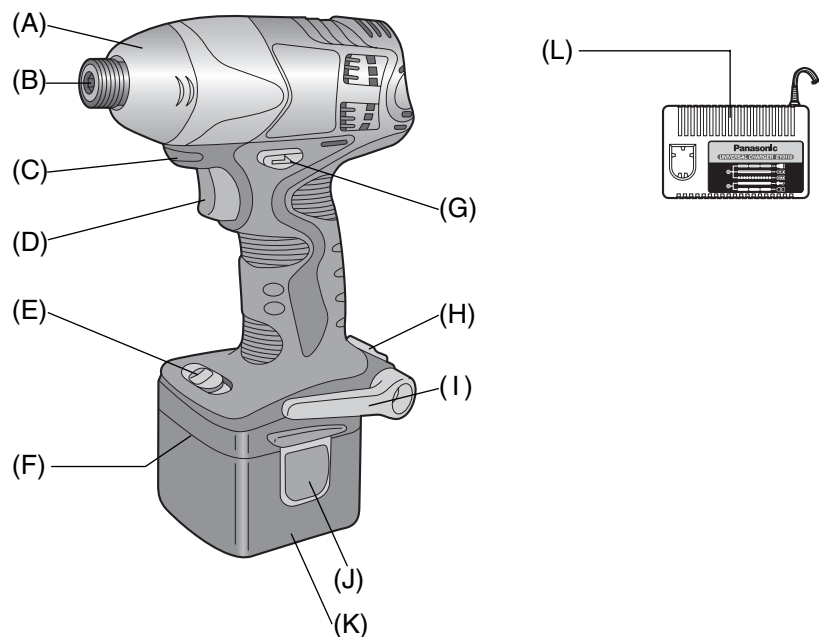
RECOMMENDED MINIMUM AWG SIZE OF EXTENSION CORDS FOR BATTERY CHARGERS				
AC Input Rating.	Amperes	AWG Size of Cord		
Equal to or greater than	But less than	Length of Cord, Feet		
		25	50	100 150
0	2	18	18	18 16

- 8) Do not operate charger with damaged cord or plug-replace them immediately.
- 9) Do not operate charger if it has received a sharp blow, been dropped, or otherwise damaged in any way; take it to a qualified serviceman.
- 10) Do not disassemble charger; take it to a qualified serviceman when service or repair is required. Incorrect reassembly may result in a risk of electric shock or fire.
- 11) To reduce the risk of electric shock, unplug charger from outlet before attempting any maintenance or cleaning.
- 12) The charger and battery pack are specifically designed to work together. Do not attempt to charge any other cordless tool or battery pack with this charger.
- 13) Do not attempt to charge the battery pack with any other charger.
- 14) Do not attempt to disassemble the battery pack housing.
- 15) Do not store the tool and battery pack in locations where the temperature may reach or exceed 50°C (122°F) (such as a metal tool shed, or a car in the summer), which can lead to deterioration of the storage battery.
- 16) Do not charge battery pack when the temperature is BELOW 0°C (32°F)

or ABOVE 40°C (104°F). This is very important in order to maintain optimal condition of the battery pack.

- 17) Do not incinerate the battery pack. It can explode in a fire.
- 18) Avoid dangerous environment. Do not use charger in damp or wet locations.
- 19) The charger is designed to operate on standard household electrical power only. Do not attempt to use it on any other voltage!
- 20) Do not abuse cord. Never carry charger by cord or yank it to disconnect from outlet. Keep cord away from heat, oil and sharp edges.
- 21) Charge the battery pack in a well ventilated place, do not cover the charger and battery pack with a cloth, etc., while charging.
- 22) Use of an attachment not recommended may result in a risk of fire, electric shock, or injury to persons.
- 23) Do not short the battery pack. A battery short can cause a large current flow, over heating and create the risk of fire or personal injury.
- 24) NOTE: If the supply cord of this appliance is damaged, it must only be replaced by a repair shop authorized by the manufacturer, because special purpose tools are required.
- 25) TO REDUCE THE RISK OF ELECTRIC SHOCK, THIS APPLIANCE HAS A POLARIZED PLUG (ONE BLADE IS WIDER THAN THE OTHER). This plug will fit in a polarized outlet only one way. If the plug does not fit fully in the outlet, reverse the plug. If it still does not fit, contact a qualified electrician to install the proper outlet. Do not change the plug in any way.

IV. FUNCTIONAL DESCRIPTION



(A)	Nose protector
(B)	6.35 mm(1/4") hex quick connect chuck
(C)	LED light
(D)	Variable speed control trigger
(E)	Impact mode selector switch
(F)	Bit holder (inside of the body)
(G)	Forward/Reverse lever
(H)	Belt hook lock lever
(I)	Belt hook
(J)	Battery pack release button
(K)	Battery pack (EY9201)
(L)	Battery charger (EY0110)

V. ASSEMBLY

Attaching or removing bit

NOTE:

When attaching or removing a bit, disconnect battery pack from tool or place the switch in the center position (switch lock).

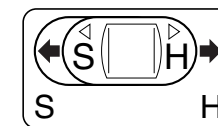
1. Hold the collar of quick connect chuck and pull it against the driver.
2. Insert the bit into the chuck.
3. The bit holder will return to its original position when it is released.
4. Pull the bit to make sure it does not come out.
5. To remove the bit, pull back on the bit holder in the same way.

CAUTION:

If the bit holder does not return to its original position or the bit comes out when pulled on, the bit has not been properly attached. Make sure the bit is properly attached before use.

Attaching or removing battery pack

1. To connect the battery pack:
Insert the battery pack. It snaps into place to indicate proper connection.
2. To remove the battery pack:
Press the two buttons on the sides of the battery pack. Slide the battery pack out of the tool body.



S : Soft impact mode
H : Hard impact mode

Impact mode	Maximum torque Maximum R.P.M.	Recommended application
S: soft impact mode	80 Nm, (820kgf-cm, 711in-lbs) 0 - 2200 RPM	small size screw, soft material, thin metal stud
H: hard impact mode	120 Nm, (1220kgf-cm, 1060in-lbs) 0 - 2600 RPM	long size screw bolts/nut

VI. OPERATION

Select the impact mode

This unit is equipped with impact mode selector switch. By sliding the mode selector switch, soft impact mode or hard impact mode can be selected.

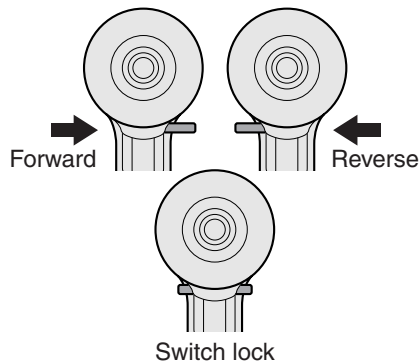
Soft impact mode has lower torque setting and help avoiding the damage of material caused by over-tightening power. It is recommended to select this mode to minimize the damage of small size screw head or the damage of the soft material surface to be fastened by controlling the trigger switch.

Hard impact mode has maximum torque and rotation speed setting.

When you set the impact mode, make sure to slide the mode selector switch fully to the desired impact mode setting.

Do not slide the switch before the rotation has completely stopped.

Switch and Forward / Reverse lever Operation



CAUTION:

To prevent damage, do not operate Forward/Reverse lever until the bit comes to a complete stop.

Forward Rotation Switch Operation

1. Push the lever for forward rotation.
2. Depress the trigger switch slightly to start the tool slowly.
3. The speed increases with the amount of depression of the trigger for efficient tightening of screws. The brake operates and the bit stops immediately when the trigger is released.
4. After use, set the lever to its center position (switch lock).

Reverse Rotation Switch Operation

1. Push the lever for reverse rotation. Check the direction of rotation before use.
2. Depress the trigger switch slightly to start the tool slowly.
3. After use, set the lever to its center position (switch lock).

CAUTION

To eliminate excessive temperature increase of the tool surface, do not operate the tool continuously (using two or more battery packs consecutively.) Tool needs cool off time before switching to another pack.

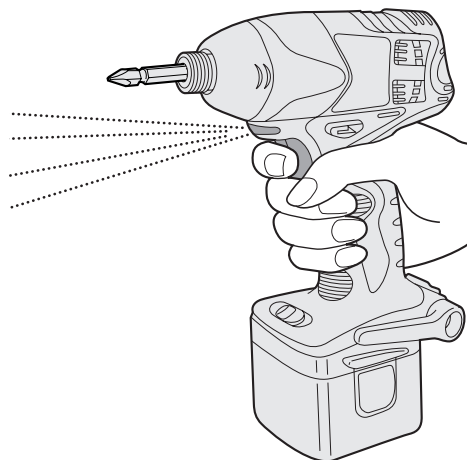
LED light

CAUTION:

The built-in LED light is designed to illuminate the small work area temporarily. Do not use it as a substitute for a regular flashlight, since it does not have enough brightness.

Depress the trigger switch, then LED light turns on. When the trigger switch is released, the light turns off automatically.

The light illuminates with very low current, and it does not adversely affect the performance of the driver during use or its battery capacity.



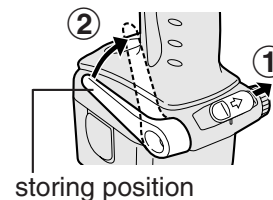
How to use the belt hook

WARNING:

- Be sure to attach the belt hook securely to the main unit with the screw firmly fastened. When the belt hook is not firmly attached to the main unit, the hook may depart and the main unit may fall. This may result in an accident or injury.
- Be sure to attach the belt hook firmly and securely onto a waist belt or other belt. Pay attention to the unit not slipping off from the belt. This may result in an accident or injury.
- When the main unit is held by the belt hook, avoid jumping or running with it. Doing so may cause the hook to slip and the main unit may fall. This may result in an accident or injury.
- When the belt hook is not used, be sure to return it to the storing position. The belt hook may catch on something. This may result in an accident or injury.
- When the unit is hooked onto the waist belt by the belt hook, do not attach driver bits to the unit. A sharp edge object, such as a drill bit, may cause injury or an accident.

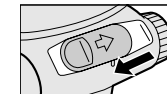
To set the belt hook angle position

1. Slide the belt hook lock lever ① and hold it to unlock the belt hook



2. Pull the belt hook from storing position ② and set it as desired angle

3. Release the belt hook lock lever to lock the angle of belt hook.

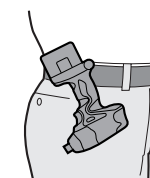


4. Make sure the belt hook is firmly locked.

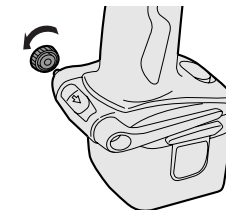
To return the belt hook to the storing position, Follow step 1. and 2. above, then lower the belt hook. To secure the lock, follow 3 and 4 above.

To change the belt hook location side

The belt hook can be attached to either side of the unit.



1. Set the belt hook at storing position.
2. Loosen the screw turning it counter-clockwise, using a coin or a flat blade screw driver



3. Take out the belt hook and insert into the other side of the slot on the main unit
4. Fasten the screw firmly, turning it clockwise

The belt hook can be taken out from the main unit only when it is at storing position.

For Appropriate use of Battery pack

Ni-MH Battery pack (EY9201)

- Charge the Ni-MH battery fully before storage in order to ensure a longer service life.
- The ambient temperature range is between 0°C (32°F) and 40°C (104°F). If the battery pack is used when the battery temperature is below 0°C (32°F), the tool may fail to function properly. In that case, charge the battery until charging is completed for appropriate functioning of the battery.
- When battery pack is not in use, keep it away from other metal objects like: paper clips, coins, keys, nails, screws, or other small metal objects that can make a connection from one terminal to another. Shorting the battery terminals together may cause sparks, burns or a fire.
- When operating with a Ni-MH battery pack, make sure the place is well-ventilated.

Battery Pack Life

The rechargeable batteries have a limited life. If the operation time becomes extremely short after recharging, replace the battery pack with a new one.

Charging

NOTE:

When you charge the battery pack for the first time, or after prolonged storage, charge it for about 24 hours to bring the battery up to full capacity.

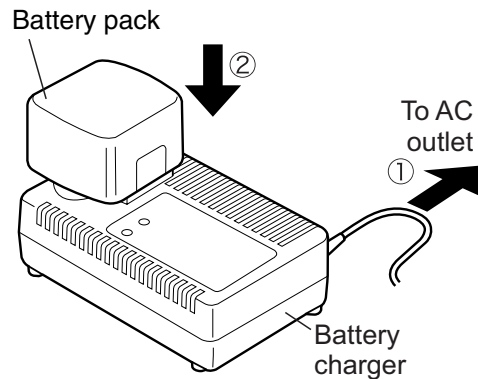
Battery charger (EY0110)

1. Plug the charger into the AC outlet.

NOTE:

Sparks may be produced when the plug is inserted into the AC power supply, but this is not a problem in terms of safety.

2. Insert the battery pack firmly into the charger.



3. During charging, the charging lamp will be lit. When charging is completed, an internal electronic switch will automatically be triggered to prevent overcharging.
 - Charging will not start if the battery pack is warm (for example, immediately after heavy-duty operation). The orange standby lamp will be lit until the battery cools down. Charging will then begin automatically.
4. When charging is completed, the charging lamp will start flashing quickly in green color.

5. When in any of the conditions that battery pack is too cool, or the battery pack has not been used for a long time, the charging lamp is lit. In this case, charging takes longer to fully charge the battery pack, than the standard charging time.

- If a fully charged battery pack is inserted into the charger again, the charging lamp lights up. After several minutes, the charging lamp may flash quickly to indicate the charging is completed.

6. If the charging lamp does not light immediately after the charger is plugged in, or if after the standard charging time the lamp does not go off, consult an authorized dealer.

NOTE:

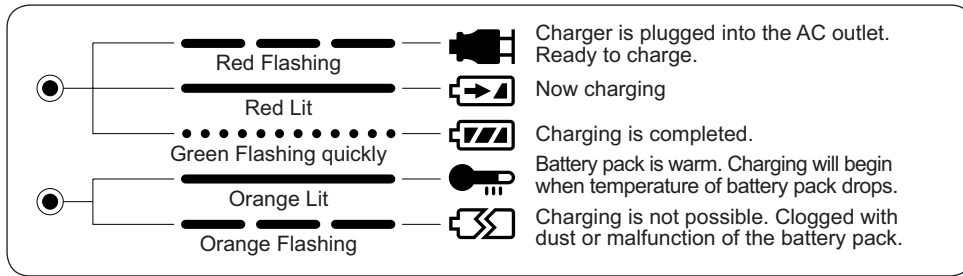
- When charging a cool battery pack (below 5°C (41°F)) in a warm place, leave the battery pack at the place and wait for more than one hour to warm up the battery to the level of the ambient temperature. Otherwise battery pack may not be fully charged.
- Cool down the charger when charging more than two battery packs consecutively.
- Do not insert your fingers into contact hole, when holding charger or any other occasions.

CAUTION:

To prevent the risk of fire or damage to the battery charger.

- Do not use power source from an engine generator.
- Do not cover vent holes on the charger and the battery pack.

VII. LAMP INDICATIONS



VIII. MAINTENANCE

Use only a dry, soft cloth for wiping the unit. Do not use a damp cloth, thinner, benzene, or other volatile solvents for cleaning.

BATTERY RECYCLING

ATTENTION:

FOR Ni-MH Battery Packs, EY9201

A nickel metal hydride battery that is recyclable powers the product you have purchased.

Please call **1-800-8-BATTERY** for information on how to recycle this battery.



IX. TIGHTENING TORQUE

The power required for tightening a bolt will vary, according to bolt material and size, as well as the material being bolted. Choose the length of tightening time accordingly.

Reference values are provided below.

(They may vary according to tightening conditions.)

Factors Affecting Tightening Torque

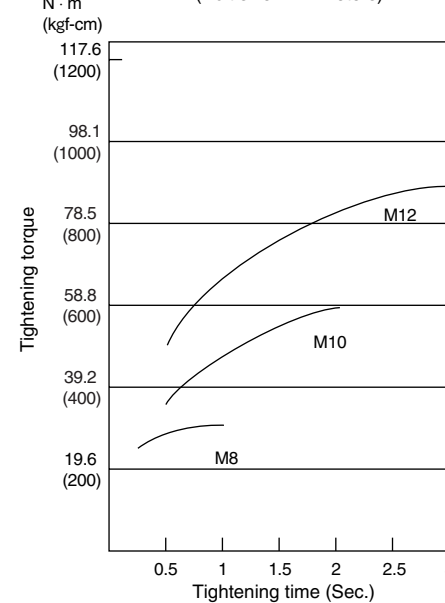
The tightening torque is affected by a wide variety of factors including the followings. After tightening, always check the torque with a torque wrench.

1) Voltage

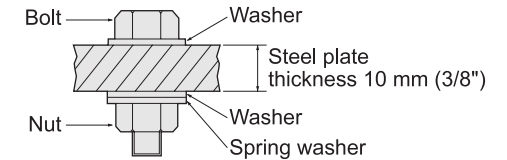
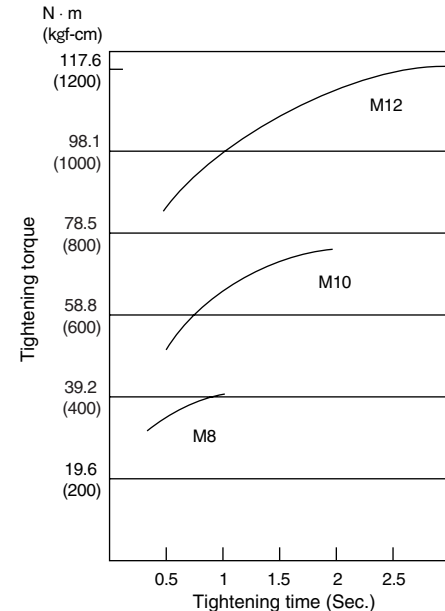
When the battery pack becomes nearly discharged, the voltage decreases and the tightening torque drops.

Bolt Tightening Conditions

M8.M10.M12 x 25mm Standard bolt
(Bolt size : Millimeters)



M8.M10.M12 x 25mm High tensile bolt



Tightening conditions

* The following bolts are used.
Standard bolt: Strength type 6.8
High tensile type 12.9

Explanation of the strength type

6.8

- Bolt yield point (80% of tensile strength) 48 kgf/mm² (68,000psi)
- Bolt tensile strength 60 kgf/mm² (85,000psi)

2) Tightening time

Longer tightening time results in increased tightening torque. Excessive tightening, however, adds no value and reduces the life of the tool.

3) Different bolt diameters

The size of the bolt diameter affects the tightening torque.

Generally, as the bolt diameter increases, tightening torque rises

4) Tightening conditions

- Tightening torque will vary, even with the same bolt, according to grade, length, and torque coefficient (the fixed coefficient indicated by the manufacturer upon production).

- Tightening torque will vary, even with the same bolting material (e.g. steel), according to the surface finish.

- Torque is greatly reduced when the bolt and nut start turning together.

5) Socket play

Torque is lowered as the six-sided configuration of the socket of the wrong size is used to tighten a bolt.

6) Switch (Variable speed control trigger)

Torque is lowered if the unit is used with the switch not fully pulled out.

7) Effect of Connecting Adaptor

The tightening torque will be lowered through the use of a universal joint or a connecting adaptor.

X. ACCESSORIES

Use only bits suitable for size of drill.

MAXIMUM RECOMMENDED CAPACITIES

Model		EY7201
Screw driving	Wood screw	∅ 3.5 ~ ∅ 9.5 mm (1/8" ~ 3/8")
	Tech screw	∅ 3.5 ~ ∅ 6 mm (1/8" ~ 1/4")
Bolt fastening		Standard bolt : M6 ~ 12 High tensile bolt : M6 ~ M10

XI. SPECIFICATIONS

MAIN UNIT

Model		EY7201
Motor		DC Motor 12 V
No load speed	soft impact mode	: 0 ~ 2200 /min (rpm)
	hard impact mode	: 0 ~ 2600 /min (rpm)
Maximum torque	soft impact mode	: 80 Nm, (820 kgf-cm, 711 in-lbs.)
	hard impact mode	: 120 Nm, (1220 kgf-cm, 1060 in-lbs.)
Impact per minute	soft impact mode	: 0 ~ 2100 ipm in Impact Mode
	hard impact mode	: 0 ~ 2800 ipm in Impact Mode
Overall length	164 mm (6-7/16")	
Weight (with battery pack)	1.8 kg (3.9 lbs)	

BATTERY PACK

Model		EY9201
Storage battery		Ni-MH Battery
Battery voltage		12V DC (1.2V x 10 cells)

BATTERY CHARGER

Model		EY0110					
Electrical rating		See the rating plate on the bottom of the charger.					
Weight		0.78 kg, (1.72 lbs.)					
		7.2V	9.6V	12V	15.6V	18V	24V
Charging time	1.2Ah	EY9065 EY9066	EY9080 EY9086	EY9001 EY9006			
	20min.						
	1.7Ah		EY9180 EY9182	EY9101			
	25min.						
	2.0Ah	EY9168		EY9106	EY9136		EY9116 EY9117
30min.		30min.				60min.	
3.0Ah			EY9200	EY9230		EY9210	
45min.				90min.			
3.5Ah			EY9201	EY9231	EY9251		
55min.				65min.			

NOTE: This chart may include models that are not available in your area.
Please refer to the catalogue.

CAUTION:

- This panasonic Impact Driver is designed to use only 12V battery packs.
- Use with other battery pack type may damage the tool and the battery, and may result in the risk of fire and personal injury.